



RED HANDFLARE

Item No. 9528500

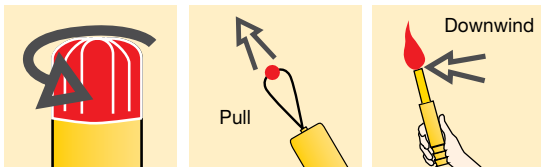
For the marine recreational boating market, also land based activities such as hiking and climbing.

Used to signal distress and pinpoint location by day and night. Designed to withstand exceptional environmental exposure and to perform reliably even after immersion in water. Featuring an improved grip and operation by pull wire ignitor. Produces hot red flame for 60 seconds at 15,000 candela.

Application

For use by day or night the Aurora Red Handflare is a short-range distress signal used to pinpoint position when potential rescuer is sighted. Ideal for use on yachts, dinghies, RIBs and canoes. Also available is the White Collision Warn-off Handflare which is for use day or night when a collision danger exists or for the illumination of small areas outside.

Operation



1. Unscrew cap and point away.
2. Pull ball out sharply to fire
3. Hold at arms length. Point Downwind. End plug ejects after 2 secs

Packing & Transport Information

- 90 signals in 1 fibreboard box
- Gross Weight Max: 18.2 kg (40.12 lb)
- Net Weight Max: 17.6 kg (38.8 lb)
- Measurements of fibreboard box: 37 x 27 x 27cm (15 x 11 x 11 in)
- Net Explosive Content per box Max: 6.3 kg (13.89 lb)
- Hazard Class 1.4G
- UN 0191
- Proper Shipping Name: Signal Devices, Hand
- Other Information: Cargo Aircraft Only

Storage

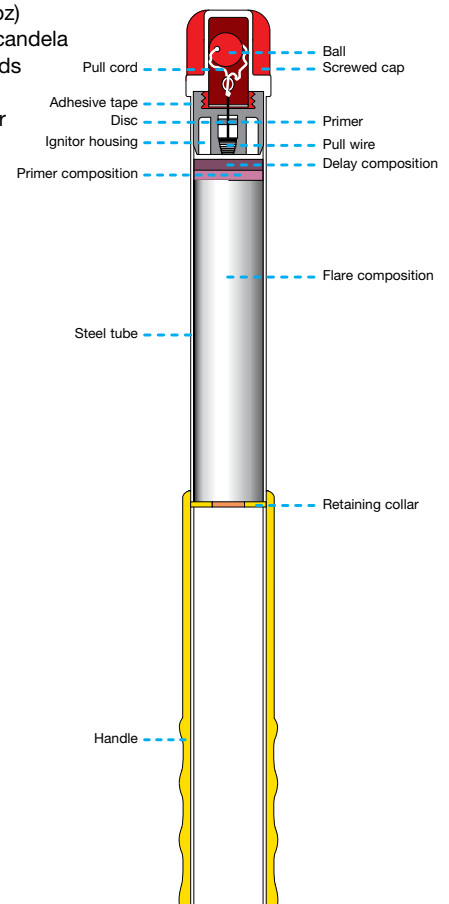
Should be stored in either the mini or large Polybottle in a dry, easily accessed location at ambient temperature.

Approvals

CE-0589, BAM Category P1, 0589-P1-0617, USCG 160.021/38/0. Non-SOLAS/MED approved, but conforms to SOLAS performance standards.

Specifications

- Length: 280 mm (11 in)
- Diameter: 28 mm (1.1 in)
- Weight Max: 176g (6.2 oz)
- Light intensity: 15,000 candela
- Burning time: 60 seconds
- Colour of light: red
- Ignition: pull-wire ignitor
- Net Explosive Content Max.: 63g (2.22 oz)



WARNING

- Produces red hot flame - do not point at people
- Do not fire in a confined space
- Keep out of reach of children
- Only for emergency use at sea
- If damaged or dented do not use
- Do not dismantle
- Keep away from source of heat
- Do not use after expiry date

DISPOSAL

- Pyrotechnics must be treated as hazardous items and must be disposed of responsibly in accordance with local regulations. For help and advice, visit our website www.auroraflares.com